

# Libec Series Pedestal P110

Libec Small Size Pedestal (Air pressure system)

## Operation Manual

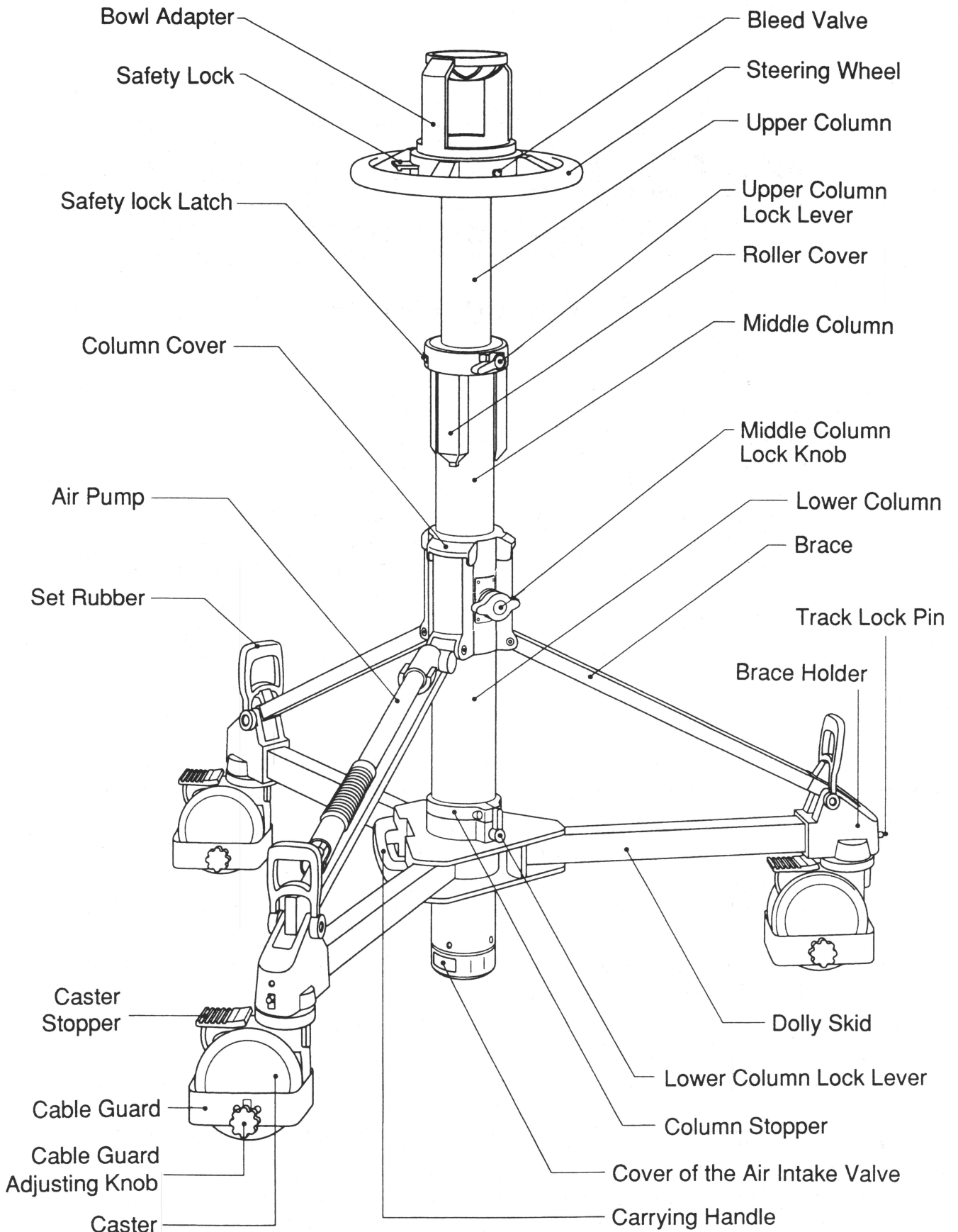
### Contents

● Name of Parts	1	● Lower Column Lock Lever Operation	5
● Main Body Assembly	2	● Lock Lever and Knob Adjustment	6
● Head Attachment	3	● Caster Operation	7
● Air Pump Operation	3	● Care and Handling of the Pedestal	8
● Bleed Valve Operation	4	● Pedestal P110(General Specification & View)	9
● Safety Lock Operation	4	● Pedestal (P110) Parts Assembly Drawing of a Column	10
● Upper Column Lock Lever Operation	5	● Pedestal (P110) Parts Assembly Drawing of a Dolly	10
● Middle Column Lock Lever Operation	5	● AfterService	11

### Special Features

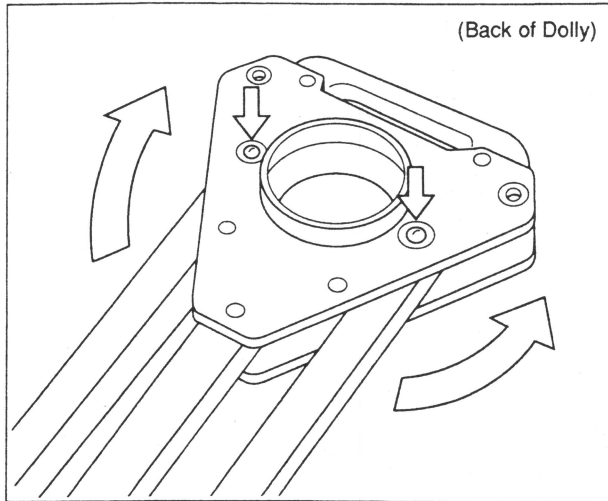
- Pedestal P110 can handle a maximum weight load of 30 kg and moves up and down with ease.
- Air can be added by an air pump while a camera is mounted on the Pedestal. Easy to adjust the air pressure and weight balance.
- It is equipped with a relief valve which keeps the pressure inside the column below the uniform value.
- The Pedestal uses large size casters and can easily clear sharp drops in ground level.
- Columns and dolly can easily be assembled for using and disassembled for transporting and storing.
- Since the air pump is attached to the brace of the Pedestal, the air pressure can be added anywhere and adjusted at any particular height of the column.

# Name of Parts

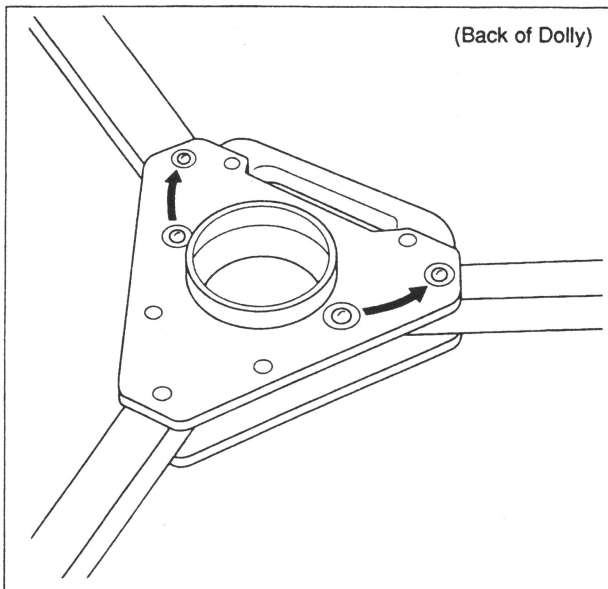


## Main Body Assembly

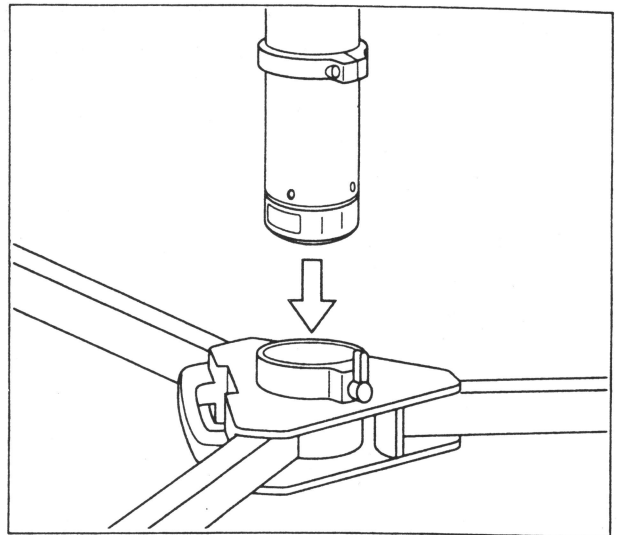
- 1) Take the dolly out from the box.
- 2) Unfold the legs while pressing down the lock pins at the back of the dolly.



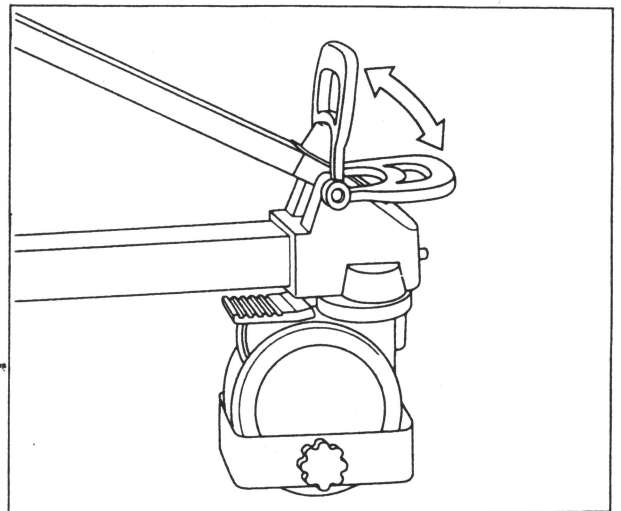
- 3) After the legs have been unfolded, make sure that the lock pins are placed in each lock pin hole. This will secure the legs in their position.



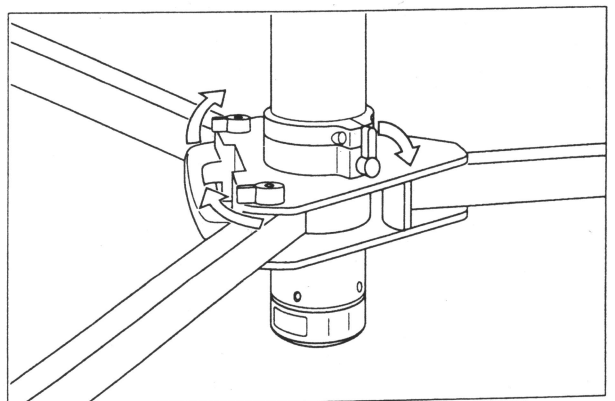
- 4) Take out the column from the box.
- 5) Put the column into the hole in the center of the dolly till it stops. (Match the column stopper and the lower column lock lever together and match each brace with a brace holder at the end of the dolly).



- 6) Put the set rubbers which are attached at the end of each brace over the pulley of the brace holder. Securely fasten the set rubbers to lock the column in place.

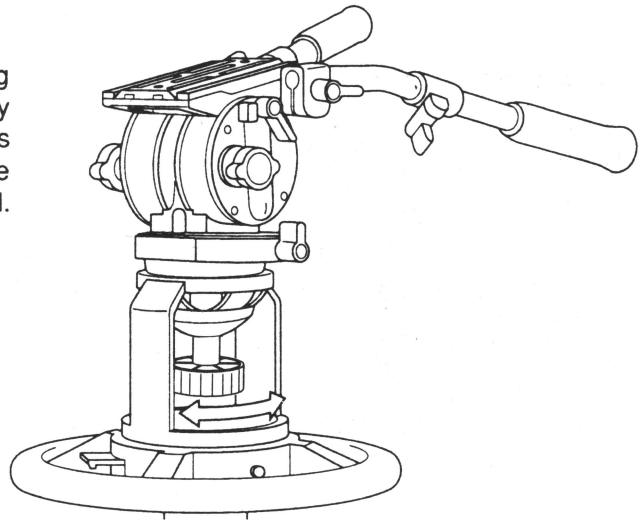


- 7) Make sure to completely lock the lower column lock lever of the dolly.



## Head Attachment

- Put the head on the bowl adapter and fix it by clamping the handle in the same way as when the head is usually mounted on a tripod. Make sure that the head is mounted horizontally. Also, set the camera in the same way in which the camera is usually mounted to the head.



## Air Pump Operation

- 1) Remove the air pump which is attached to the brace.
- 2) Turn the open-close ring on the air pump to **OPEN** and take the hose out.
- 3) Make sure to set the open-close ring on **CLOSE** after taking the hose out. If not, it may cause the air to leak out.
- 4) Turn the cover of the air intake valve at the bottom of the column to the direction indicated by the arrow. (Do not let go while opening the cover. The cover will automatically close by the return spring as soon as you let go.)
- 5) Put pump nozzle into the air intake valve till it stops.
- 6) Make sure to securely fix the nozzle by turning the nozzle knob clockwise.
- 7) Unlock the safety lock on the column and the upper column stopper.
- 8) Add air by pumping the air pump.

The air pump must stand on the floor while pumping air. Put your foot on the pump ground stabilizer which can be folded out from its fixed position which is attached to the pump and put your weight on it for pumping air.

\*Standard measure for the number of pumps and the weight of a loaded camera is as follows;

100 times of pumping = Approx. 4.5 kg

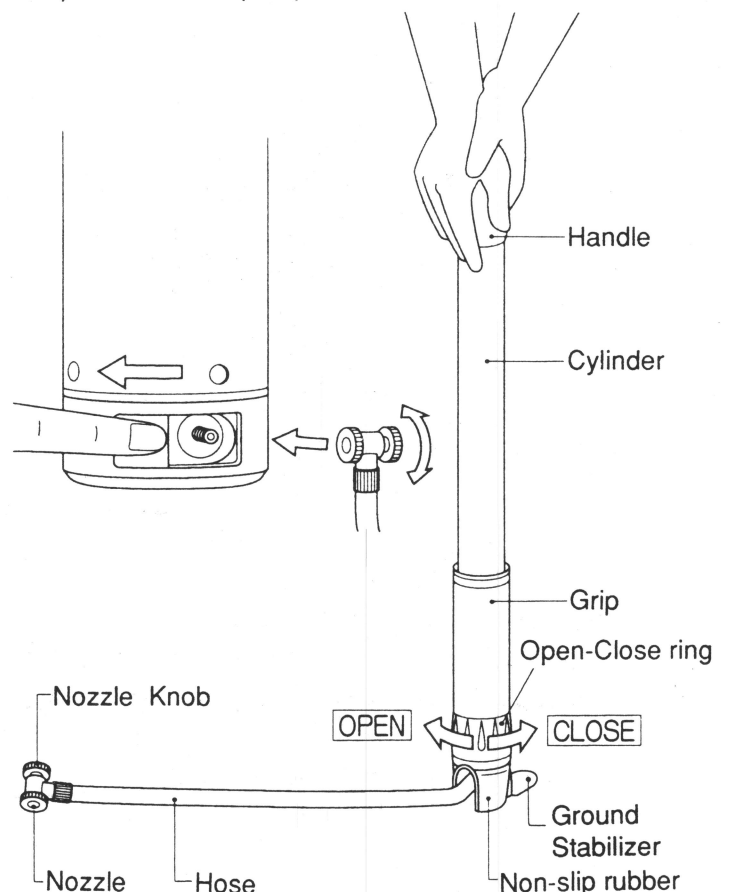
150 time of pumping = Approx. 6.6 kg

If an excess amount of air is added, the relief valve will automatically release the air and keep the air pressure at or less than the uniform value.

- 9) After the weight of a mounted camera is well balanced, turn the open-close ring on the air pump

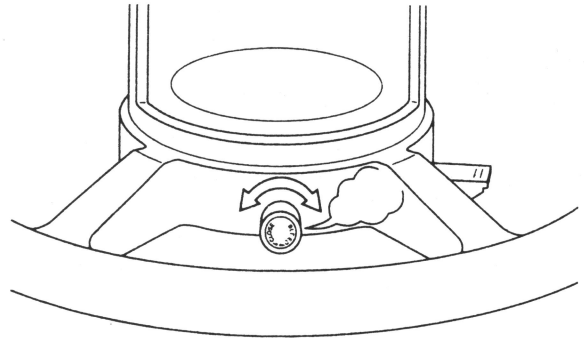
from **CLOSE** to **OPEN** and keep the ring in this position for a while. Then, turn the nozzle knob counterclockwise and remove it from the air intake valve.

- 10) Put the hose back into the air pump.
- 11) Attach the air pump to the brace.



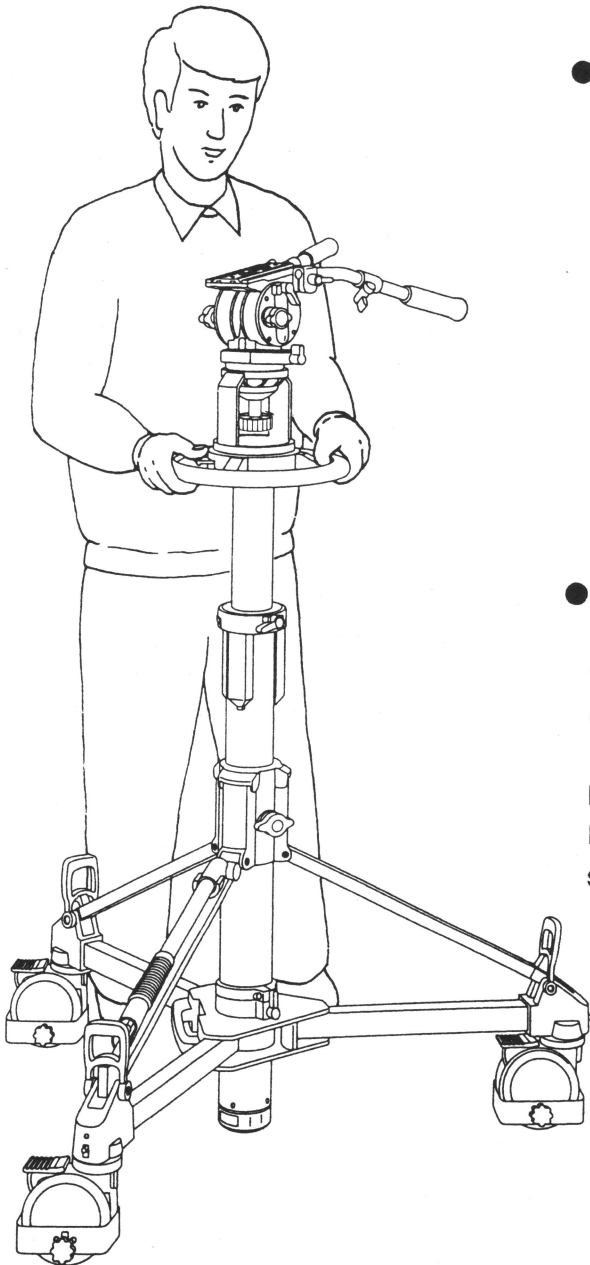
## Bleed Valve Operation

- Turn the bleed valve counterclockwise to adjust the balance of the mounted camera weight when the too much air has been added through the air pump. The same procedure should be taken to completely let the air out for storing and transporting. After use, make sure to tighten the valve by turning it until it stops and cannot be turned anymore. If not properly tightened, air may leak out from the valve. Do not touch the valve except under the circumstances mentioned in the above.



## Safety Lock Operation

- Please use the safety lock for storing and transporting when the Pedestal is not being used.



- For locking, hold the steering wheel with your hands and press down using your own body weight over the Pedestal and securely hook the safety lock clutch from the horizontal position into the downward position locking it in place.

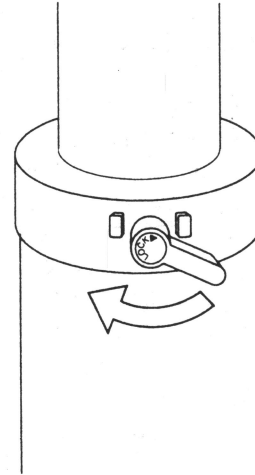
Safety lock can also be locked by holding the steering wheel while the safety lock clutch is moved from the horizontal position into the downward position, then press the steering wheel down by using your own body weight over the Pedestal. This will automatically place the safety lock clutch into position. Be sure to check that it is properly locked.

- For unlocking, hold the steering wheel in the same way as when locking, press down using your own body weight over the Pedestal and release the safety lock clutch from its position.

If any air pressure remains when a camera has not been mounted, the upper column may suddenly rise. Extra caution must be taken when letting go of the steering wheel.

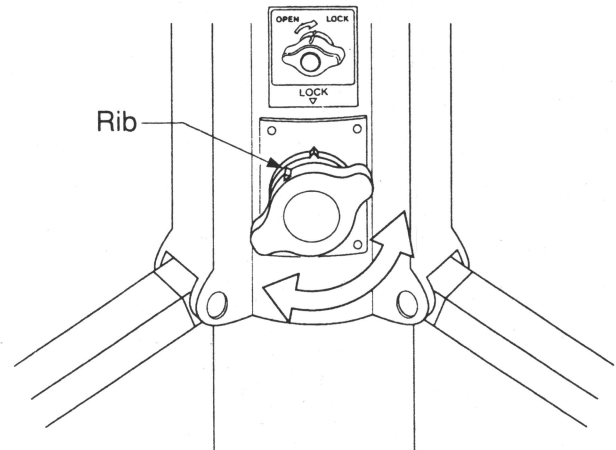
## Upper Column Lock Lever Operation

- To fix the upper column at any height, turn the upper column lock lever clockwise till it stops.



## Middle Column Lock Knob Operation

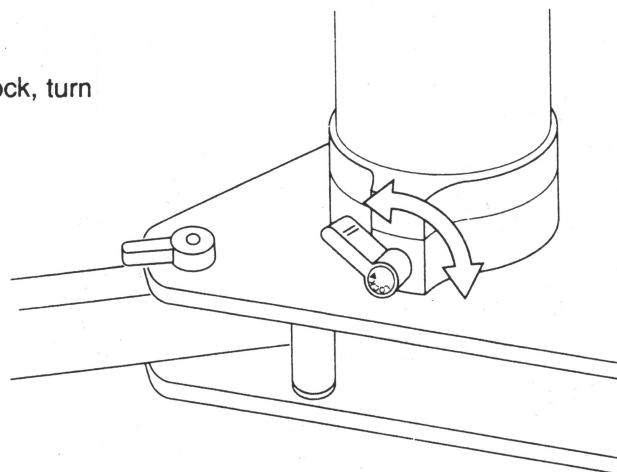
- Use the middle column lock knob by extending the middle column and adjusting the height. Lock the safety lock before extending the middle column.
- To lock, turn the lock knob clockwise till the knob points "Lock." To unlock, turn the knob counterclockwise.



## Lower Column Lock Lever Operation

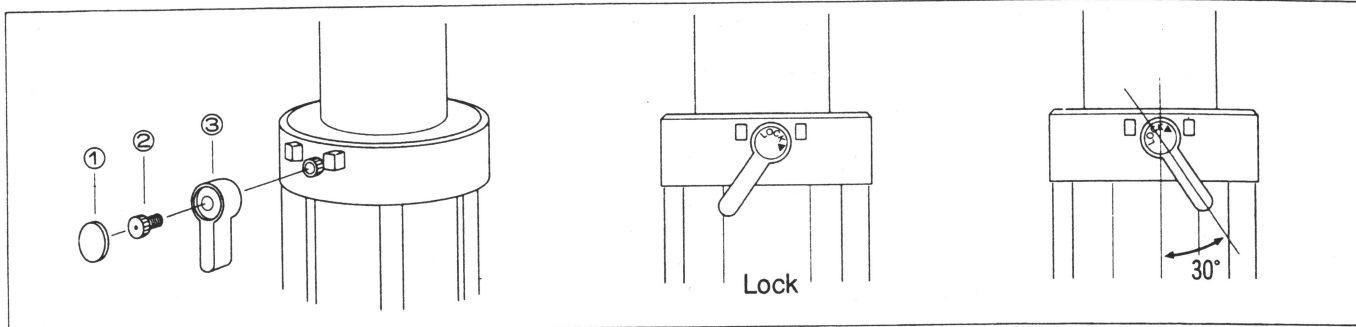
Use the lower column lock lever to assemble and disassemble the column and dolly.

- To lock, turn the lock lever clockwise. To unlock, turn the low column lock lever counterclockwise.

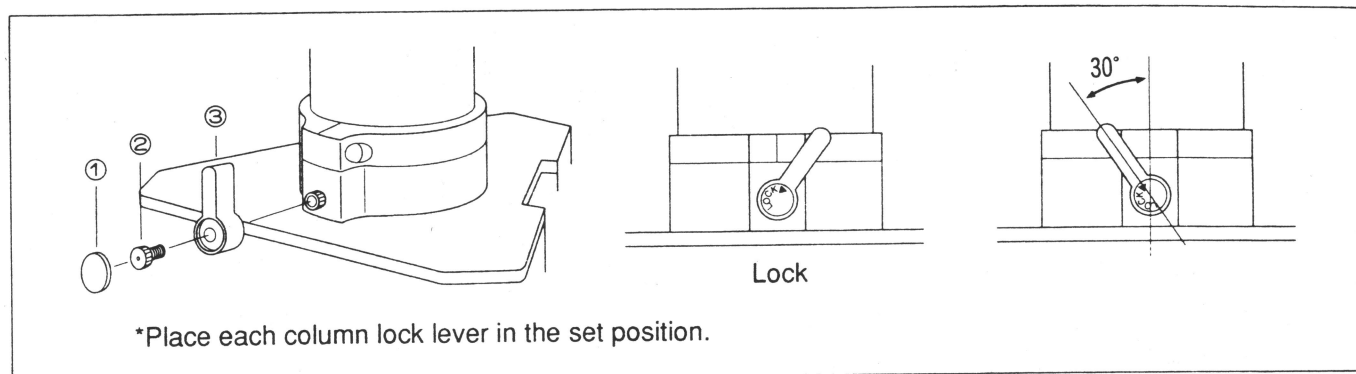


# Lock Lever and knob Adjustment

## ■ Upper Column Lock Lever



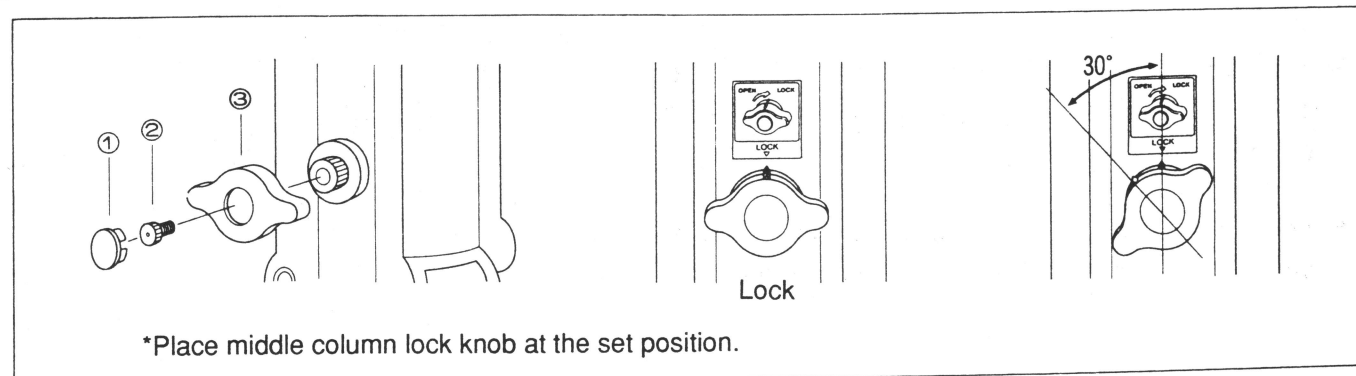
## ■ Lower Column Lock Lever



1. Peel off lock seal ① on the lever using a pointed object.
2. A screw ② will appear after the seal has been peeled off. Unscrew and remove it with a screwdriver.
3. Leave the lock lever ③ off the body. (Do not

- misplace any screws ② which were removed.)
4. Turn the lever counterclockwise approximately about 30 degrees and attach it to the body as shown in the diagram.
5. Tighten the screw ② .
6. Put the lock seal ① on.

## ■ Middle Column Lock Knob



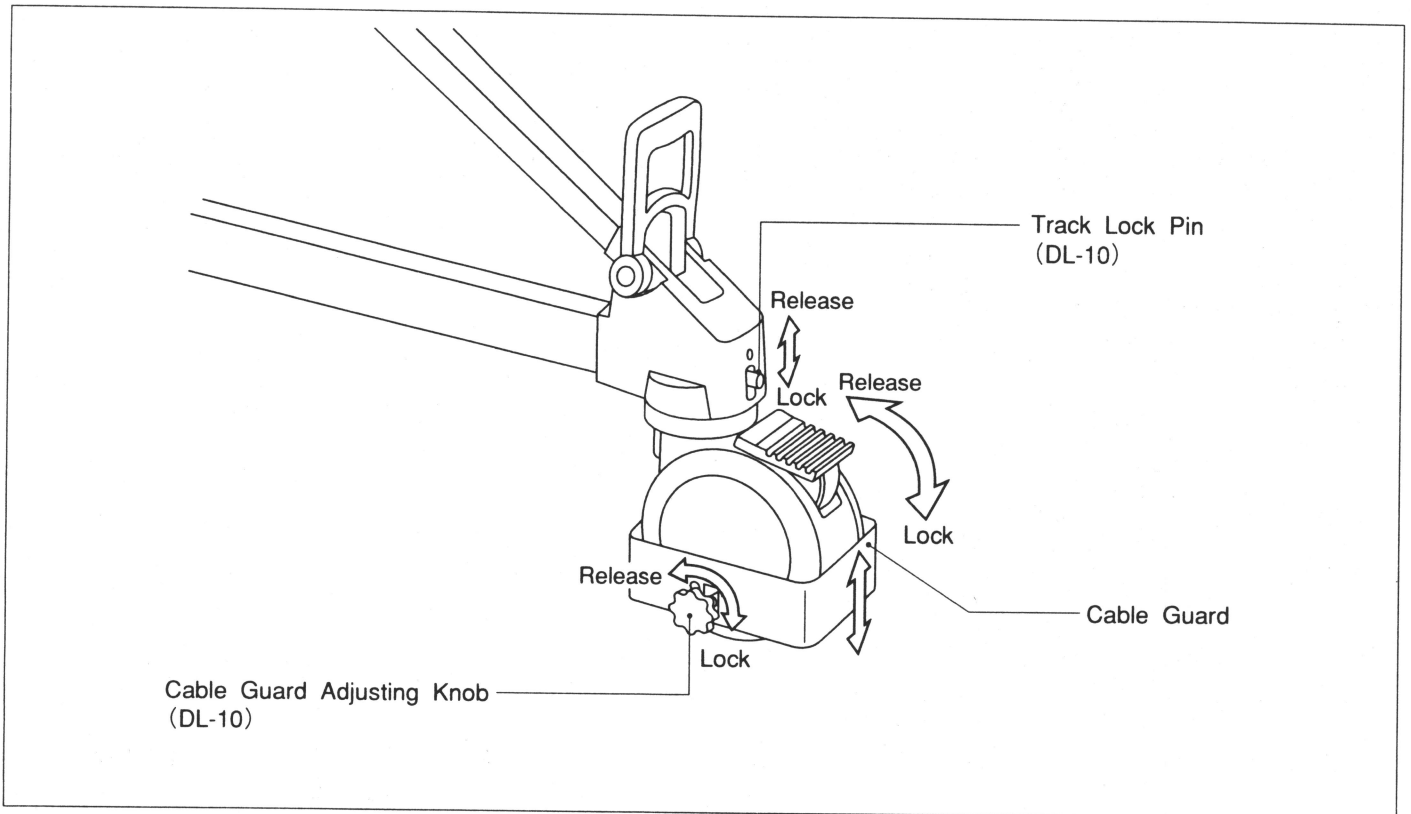
1. Remove cap ① .
2. A screw ② will appear after the cap is removed. Unscrew and remove it with a screwdriver.
3. Leave the lock knob ③ off the body.

4. Turn the knob ③ counterclockwise approximately 30 degrees and attach it to the body.
5. Tighten the screw ② .
6. Put the cap ① on.

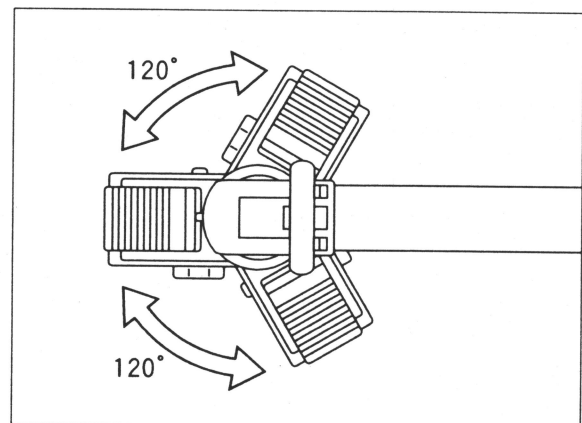
NOTE: Do not turn the lock knob for more than the specified degree. Excess turning of the lock knob could result in becoming damaged.

## Caster Operation

- A double locking device is employed for casters. It allows users to lock and unlock wheel movement and the direction of the wheel simply by pressing a pedal.



- Use the track lock pin when shooting while moving the dolly straight and to fold the dolly for storage. Direction of the casters can be locked at 120° degree intervals.
- Cable guards prevent casters from rolling over cables. Make sure to put the cable guards down while shooting.
- Adjust the height of the cable guards by loosening the knobs attached on the side of the cable guard.





## Care and Handling of the Pedestal

- When using the air pump to add air to the upper column, make sure that your upper body is away from the upper column and not leaning over the equipment. When air pressure exceeds the weight of camera, the upper column will suddenly rise up. Special caution is advise to avoid possible injury by standing a safe distance away from the Pedestal body when adding air.
- Make sure the safety lock is in the locked position when letting air out through the bleed valve for storing or transporting the equipment.  
(If not properly locked, the upper column may suddenly fall causing injury or damage to persons or equipment.)
- After the air pressure has been adjusted by loosening the bleed valve to balance the weight of the camera, make sure to tighten the valve by turning it until it stops and cannot be turned anymore. If not properly tightened, air may leak out from the valve.
- Make sure to lock the safety lock when removing a camera. Take special care when removing a camera, the upper column will suddenly rise due to the change in air pressure and this could cause possible injury. When unlocking the lock, hold the steering wheel down with your hands and use your own body weight to press down over the Pedestal. Take special care once unlocked, the upper column will suddenly rise up.  
Note: At other times keep hands away from the steering wheel.
- Make sure to lock the safety lock when storing or transporting the Pedestal.
- The upper column lock lever can be locked when the air pressure balance is being kept while under the load of a camera. When a camera has not been mounted, the upper column lock lever can not be locked.
- Hold the steering wheel and carefully unlock the middle column lock knob while a camera is loaded. The middle column lock knob is equipped with shock absorbers which ease shock. Yet, extra caution is recommended.
- If there is a change in temperature when the Pedestal is being transported by a moving vehicle, the relief valve will automatically adjust the air pressure and the air pressure will fall. Before using the Pedestal, re-adjust the air pressure by using the air pump.  
\*If possible, completely let the air out when long hours of transportation are expected.
- Since the Pedestal is equipped with a relief valve, the air pressure will automatically be released when there is more than enough and will not let the pressure rise above that which is needed.  
\*Keep the air pressure below 8.5kgf/-.
- Refrain from disassembling and/or modifying the Pedestal. Any such attempts may cause damage to camera equipment or physical injury.

# Pedestal P110(S)

## ■ General Specification

Maximum height : 1,550 mm

Minimum height : 795 mm

Number of columns : 3 (Upper Column : Air pressure,  
Middle Column : Hand-operated)

Weight : 17 kg (Column : 9 kg, Dolly : 8 kg)

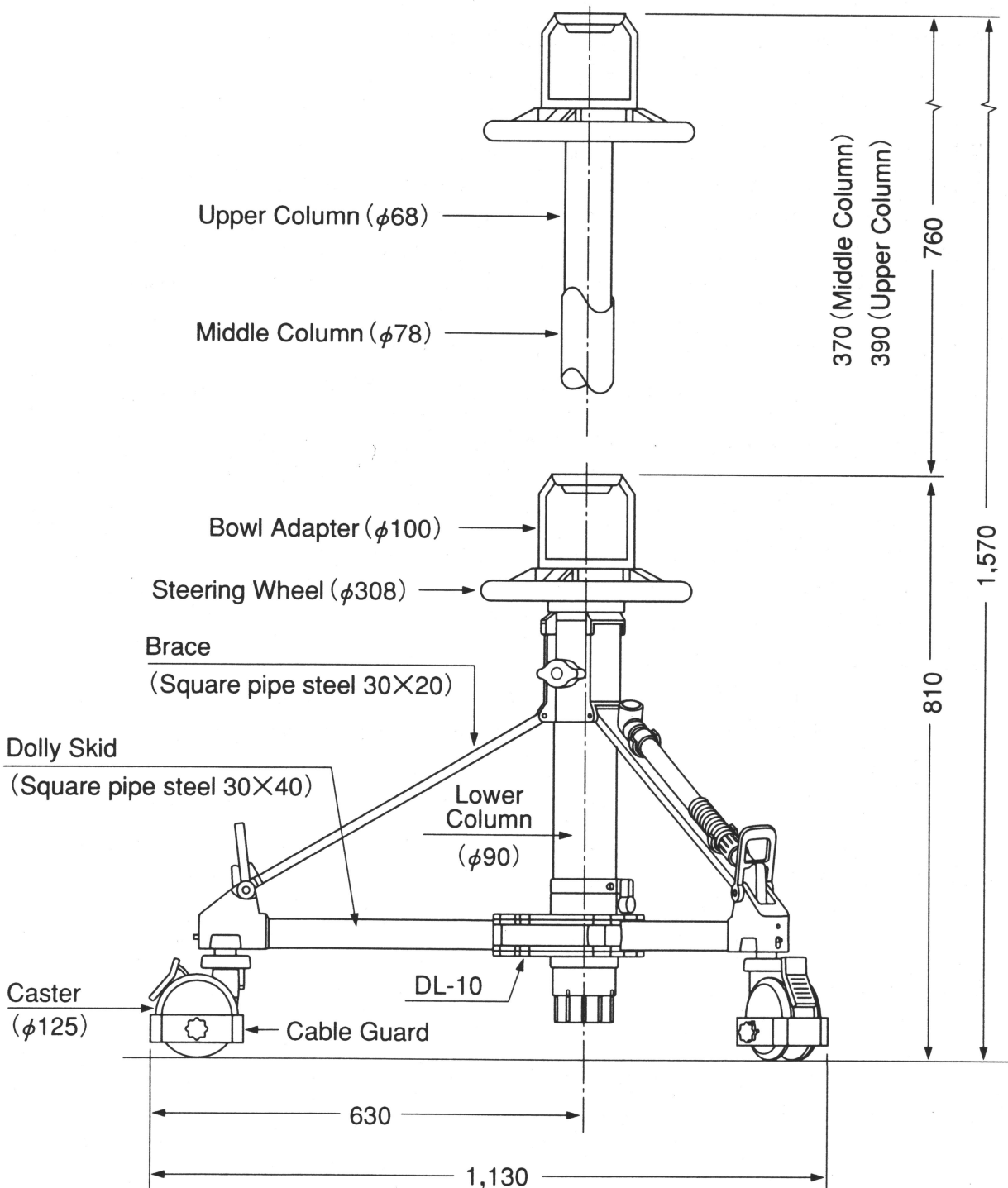
Maximum loading weight : 30 kg

(including weight of the head)

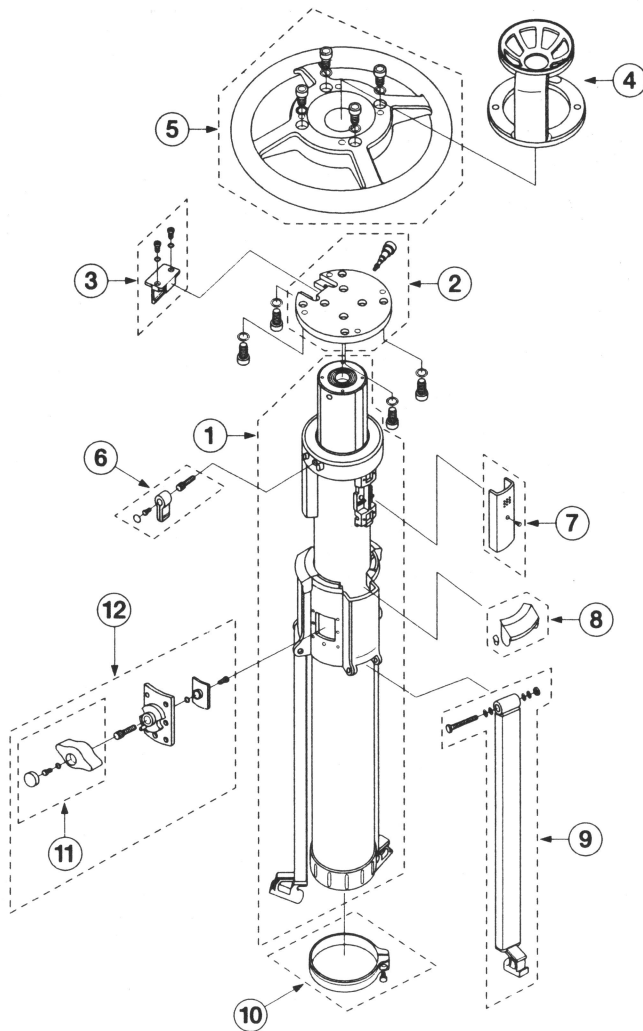
Diameter of casters :  $\phi$  125 mm

Material : Corrosion resistant aluminum alloy and resin

## ■ Dimension



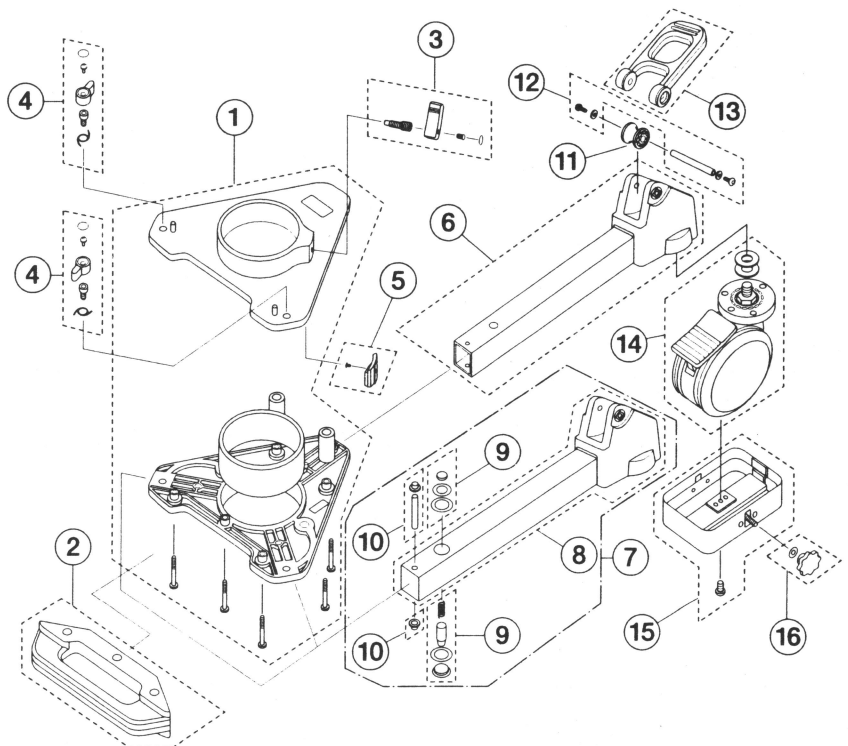
## Pedestal (P110) Parts Assembly Drawing of a Column



Mark	Parts number	Description	Number of parts needed for one unit
①	P110-1	Column Body	1
②	P110-2	Top Cover Assembly	1
③	P110-3	Safety Lock Assembly	1
④	P110-4	Bowl Adapter	1
⑤	P110-5	Steering Wheel	1
⑥	P110-6	Upper Column Lock Lever	1
⑦	P110-7	Roller Cover	3
⑧	P110-8	Column Cover	3
⑨	P110-9	Brace Assembly	3
⑩	P110-10	Column Stopper	1
⑪	P110-11	Middle Column Knob	1
⑫	P110-12	Bottom Cramp Cassette Assembly	1

## Pedestal (P110(S)) Parts Assembly Drawing of a Dolly DL-10

Mark	Parts number	Description	Number of parts needed for one unit
①	DL-10-1	Dolly body Assembly	1
②	DL-10-2	Carrying Handle	1
③	DL-10-3	Lower Column Lock Lever	1
④	DL-10-4	Dolly Skid Lock Lever	2
⑤	DL-10-5	Lower Column Brake	1
⑥	DL-10-6	Dolly Skid (A) Assembly	1
⑦	DL-10-7	Dolly Skid (B) Assembly	2
⑧	DL-10-8	Dolly Skid (B)	3
⑨	DL-10-9	Dolly Lock Metal	3
⑩	DL-10-10	Dolly Shaft	3
⑪	DL-10-11	Pulley	3
⑫	DL-10-12	Pulley Shaft	3
⑬	DL-10-13	Leg Set Rubber	3
⑭	DL-10-14	Caster	3
⑮	DL-10-15	Cable Guard A'ssy	3
⑯	DL-10-16	Cable Guard Adjusting knob	3



# After Service

■ **Problems- Please check first.**

When the Pedestal does not work well, read the manual again and check carefully.

■ **If it is not functioning properly, please ask for assistance.**

When the Pedestal is not functioning properly, ask for assistance at the address and phone number below.

Distributed by :

Manufacturer : **HEIWA** HEIWA SEIKI KOGYO CO., LTD. No.978-1 Nishibukuro, Yashio-City, Saitama, 340-0833 Japan TEL:048-995-1301 FAX:048-997-0804

\* Specifications and appearance may change due to redesigning without prior notice.